

A. Safety Guide

Thank you for purchasing this products.



WARNING • Before using, read these user's manuals of this product to ensure correct usage through understanding. After reading, store them in a safe place for future reference. Incorrect handling of this product could possibly result in personal injury or physical damage. The manufacturer assumes no responsibility for any damage caused by mishandling that is beyond normal usage defined in these manuals of this product.

Pre-configured Catios have the required holes cut for the attaching tunnels, towers, stairs or ramps. However, because we do not know the measurements of your yard or cat door. We do not cut entry holes in any of our Catios, therefore you will need to cut the entry access hole on site. Anything ordered al la cart will not have precut holes. We do offer a hand held hack saw or mini bolt cutters to facilitate cutting holes and a file to take off sharp edges on the accessory page.



- You will be using sharp tools. Always use personal protective equipment such as gloves and safety glasses to avoid the risk of injury.
- Make sure the floor you step on is dry, free from any liquids such as oil and water when assembling this product. Use anti-slip shoes to avoid falling due to slips.
- Keep this product out of reach of electric current, as this product is made of metal that conducts electricity.
- Make sure there is adequate lighting when doing the assembly. When assembling keep it away from children and pets.

B. Equipment needed to assemble.

Not included in the item package.

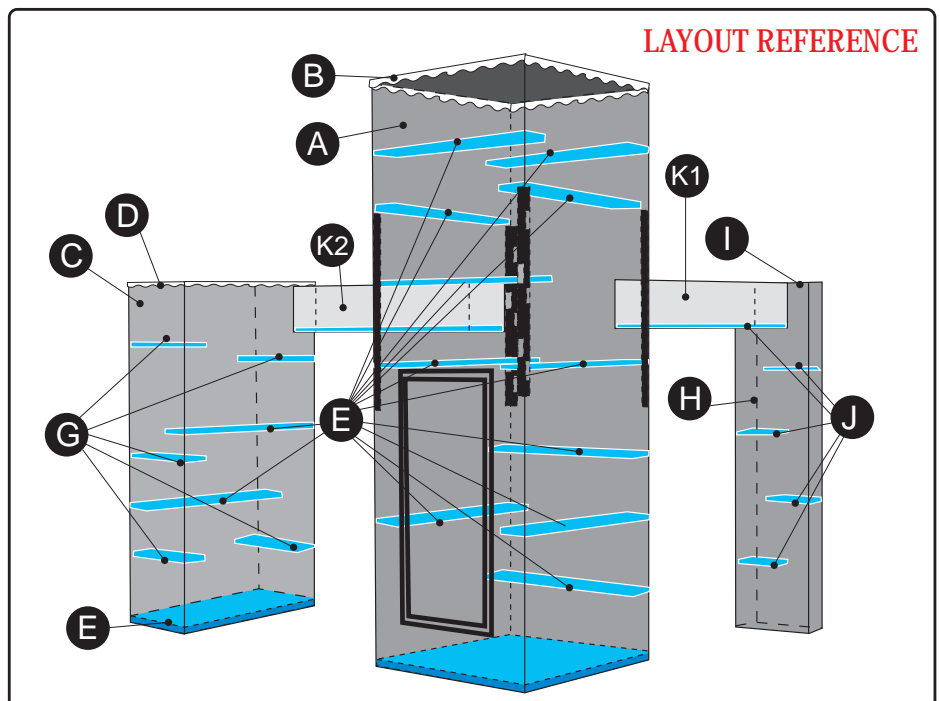
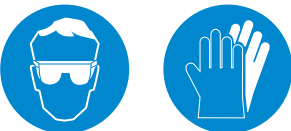
- Cutting pliers and clamp pliers or combination pliers
- “+” and “-” Screwdrivers
- Socket Wrench No.10, 12 and 14
- Open Wrench / Open End Spanner
- Medium Size Zip Tie
- Safety transparent glass (if there any)
- Safety Gloves and Safety Shoes
- Hand held hack saw
- Anti Slip Ladder
- Electrical Hand Drill (optional)

It is recommended that at least two or three people are present to install the enclosures. Knowledge of basic carpentry and assembly are helpful.

C. What's in the package.

- A** (1) 4' x 4' x 12' Catio
- B** (1) 4' x 4' Wire Top w/ Canvas Cover
- C** (1) 2' x 4' x 8' Catio
- D** (1) 2' x 4' Wire Top W/ Canvas Cover
- E** (3) 2' x 4' Raised flooring
- F** (15) 4' Shelves
- G** (5) 2' Shelves
- H** (1) 8" x 22" x 96" Tall tower
- I** (1) 8" x 22" Wire Top
- J** (5) 8" x 12" Tower Shelves
- K** (2) 8" x 12" x 72" Tunnel

SAFETY PRECAUTION



K9 KENNEL STORE

833 West 27th Street Ogden, Ut 84401
 Phone : (801) 621-4024 Fax :(801) 621-4353
 E-Mail : k9kennelsstore@gmail.com

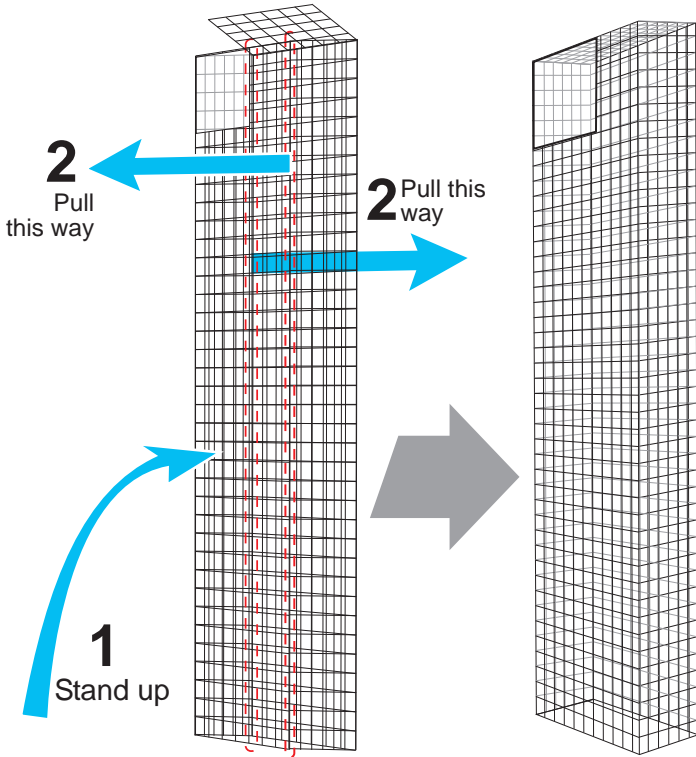
D. Installation Guide

The four sides of the enclosure come connected like an accordion. Simply stand in place and connect the last corner with zip ties. Then attach the top with zip ties. Clamp shelves and accessories to the sides with bolts and nuts.

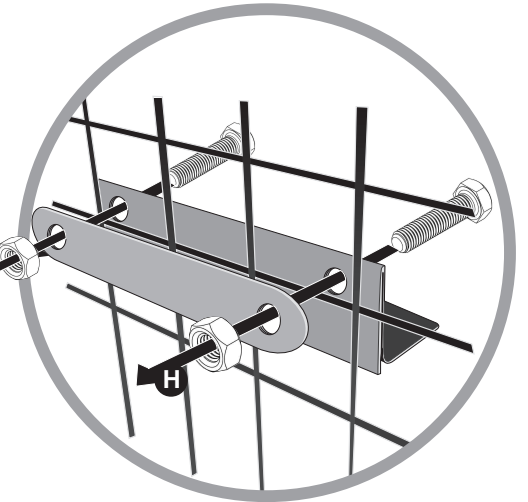
Tunnels pop up, a U brace folds down and is secured with zip ties.

1. Section 1

Stand up the enclosure parts (Tower) with a size of **8" x 22" x 96"**; Pull 2 hinges in opposite directions like pulling an accordion, then it will be able to stand on its own.



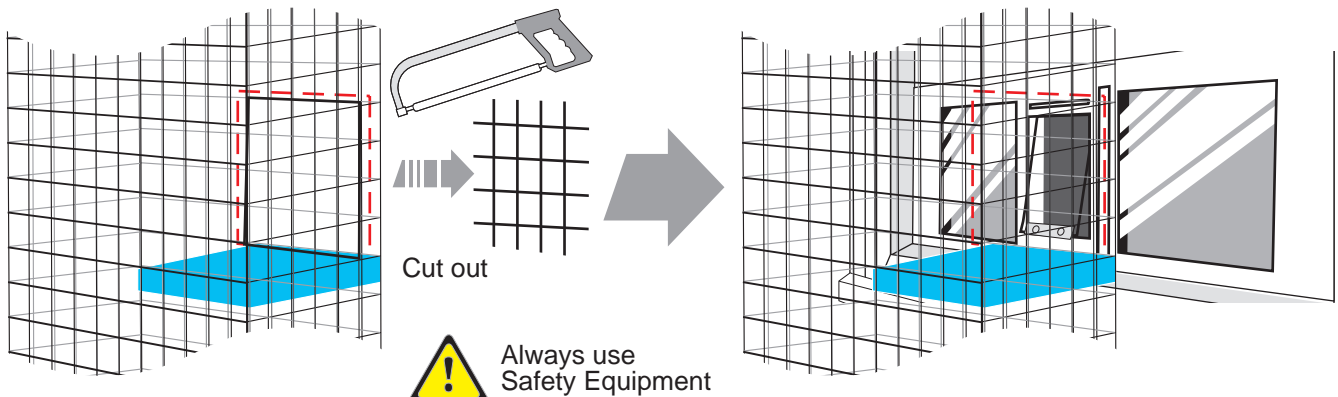
3 Install the brackets first, aligning the two sides at each level, then you can place the shelves in the appropriate position. Pay attention to the **Layout Reference** image on the 2nd page.



Shelves Bracket
Installation for **J E G**

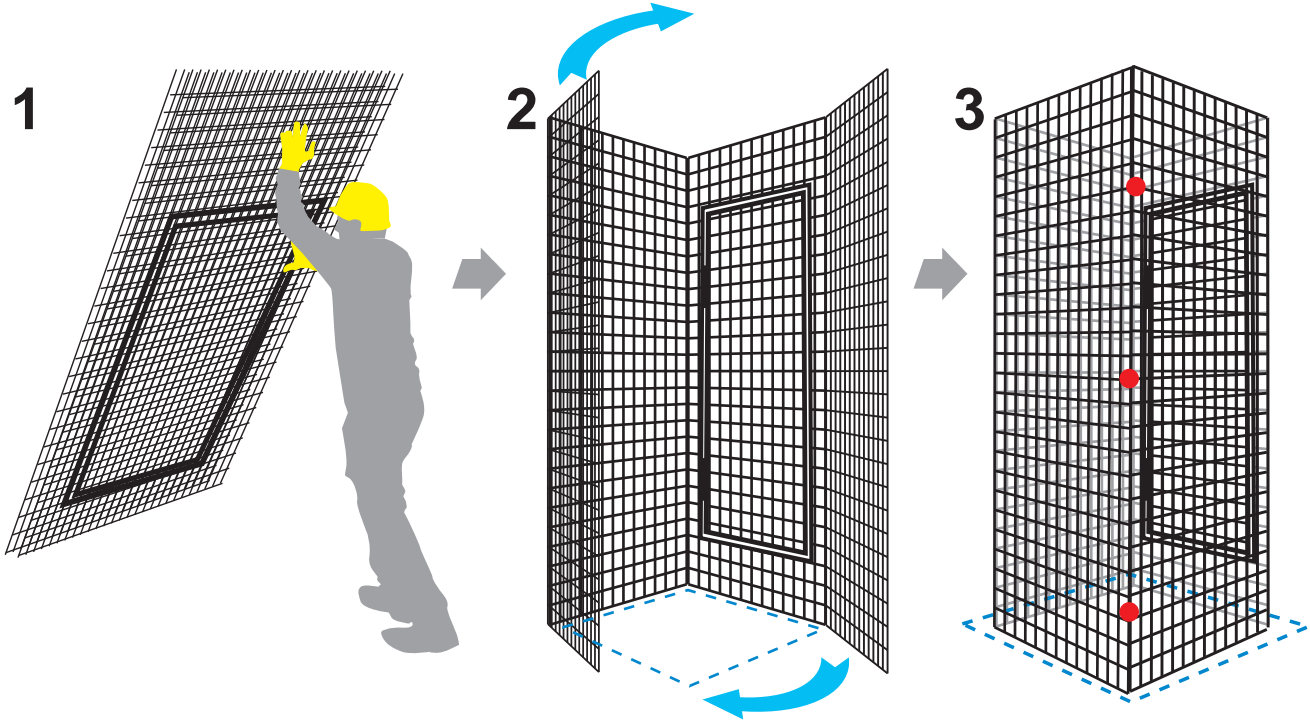
2. Pet Door

We want you to be free to determine where your pet enters this residence. Therefore, please set your own according to the door of the pet in your home. Measure the height of the pet door in your home, align with the bars of the Residential retreat, mark using a marker, then cut using a hack saw or cutting grinder. Place Catio near your residential window and make sure your pet has no gaps other than access to and from the residential retreat.

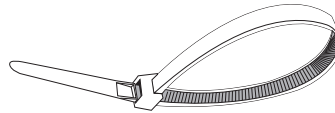


3. Section A

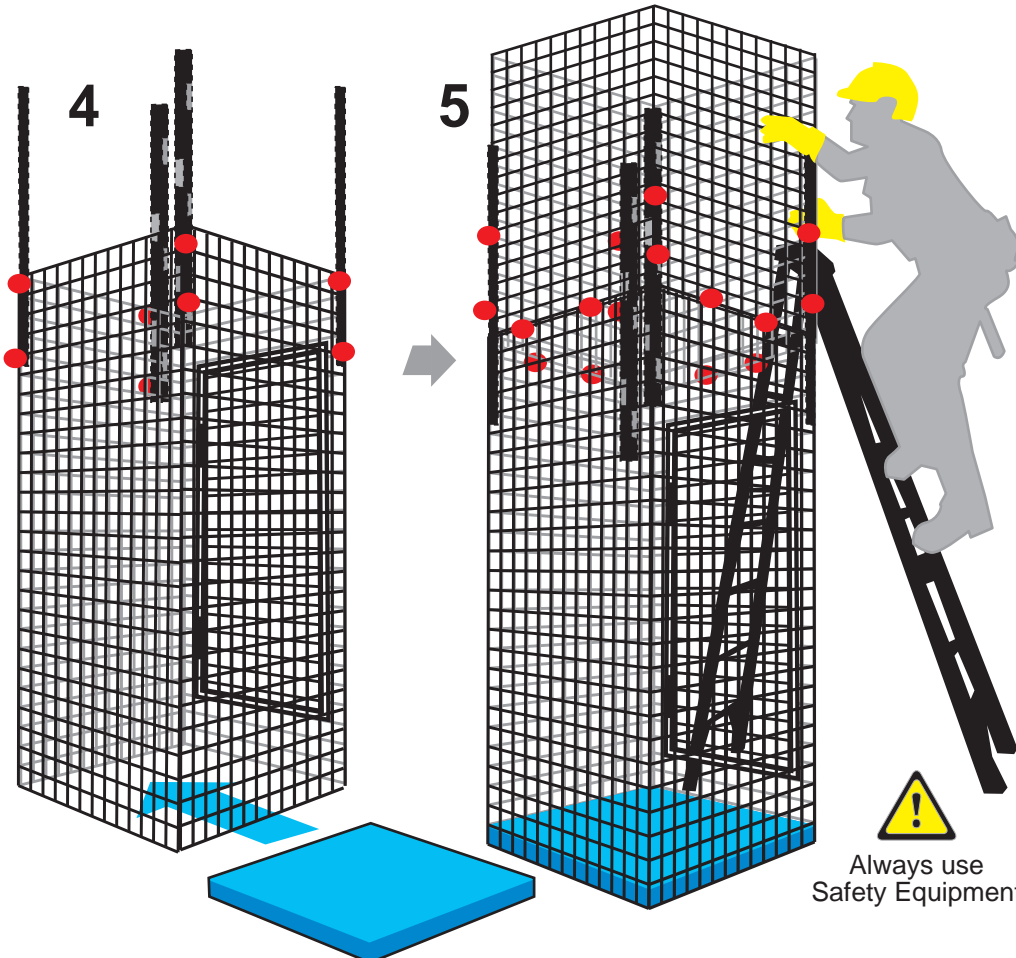
Stand up the enclosure (Catio) with a size of 4' x 4' x 4'. Pull 2 hinges that meet each other in opposite directions like pulling an accordion, then the first parts of the enclosure will be able to stand on its own.



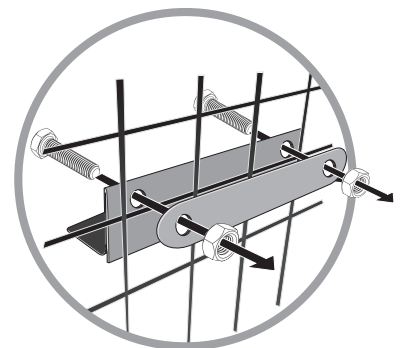
install the stand as a handle for the expansion enclosure (). Tie with zip tie, attach expansion cover and secure with zip tie.



● Medium Size Zip Tie
(Not included in the item package).



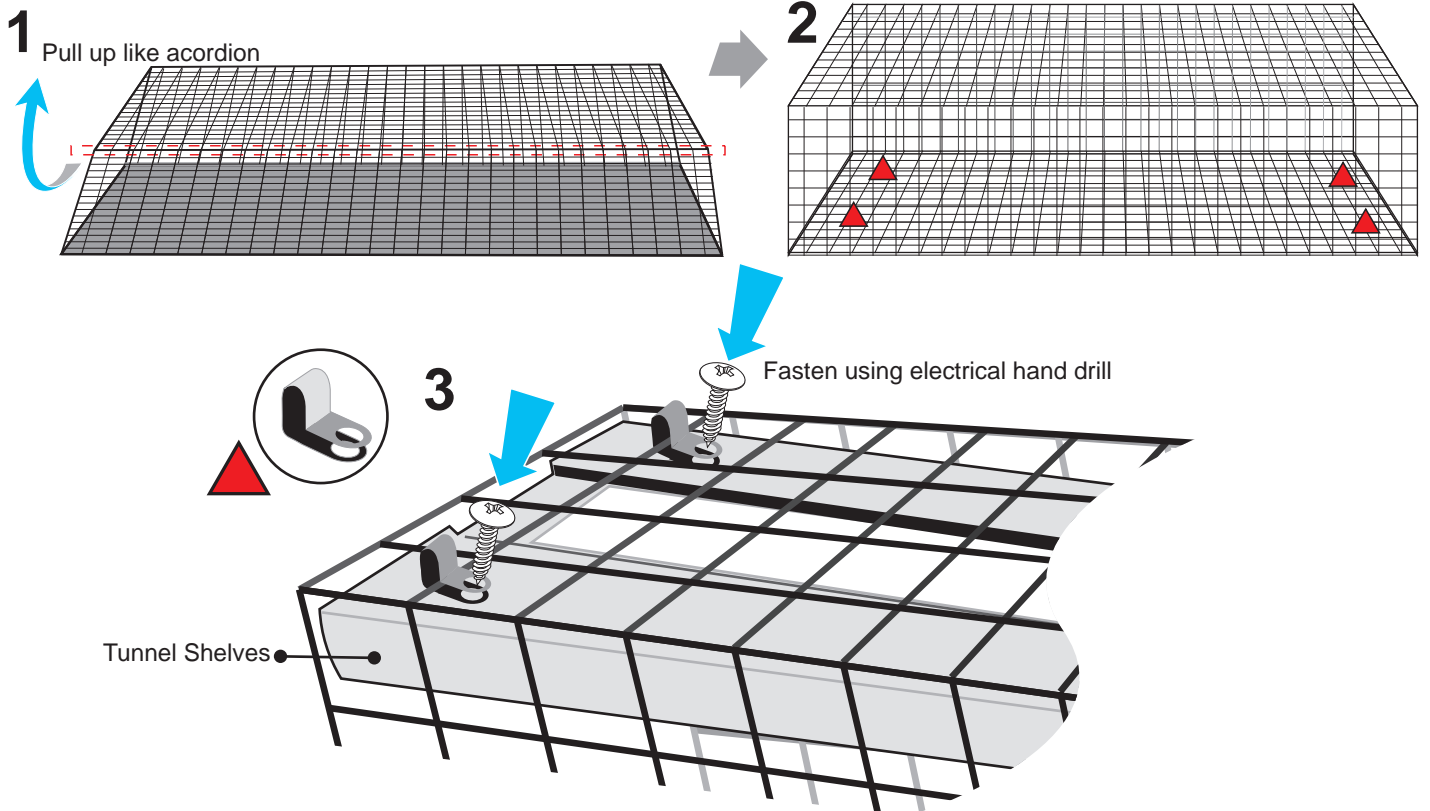
6 Before you can add the shelves, Install the brackets first, aligning the two sides at each level, then you can place the shelves in the appropriate position. Pay attention to the **Layout Reference** image on the 2nd page.



Always use Safety Equipment

4. Section K

You will get 2 pcs of **K** parts. Put down the tiniest enclosure parts (Long Tunnel) with a size of **8" x 12" x 72"** on the floor. Pull one of the 2 hinge segments that meet each other upwards like pulling an accordion.

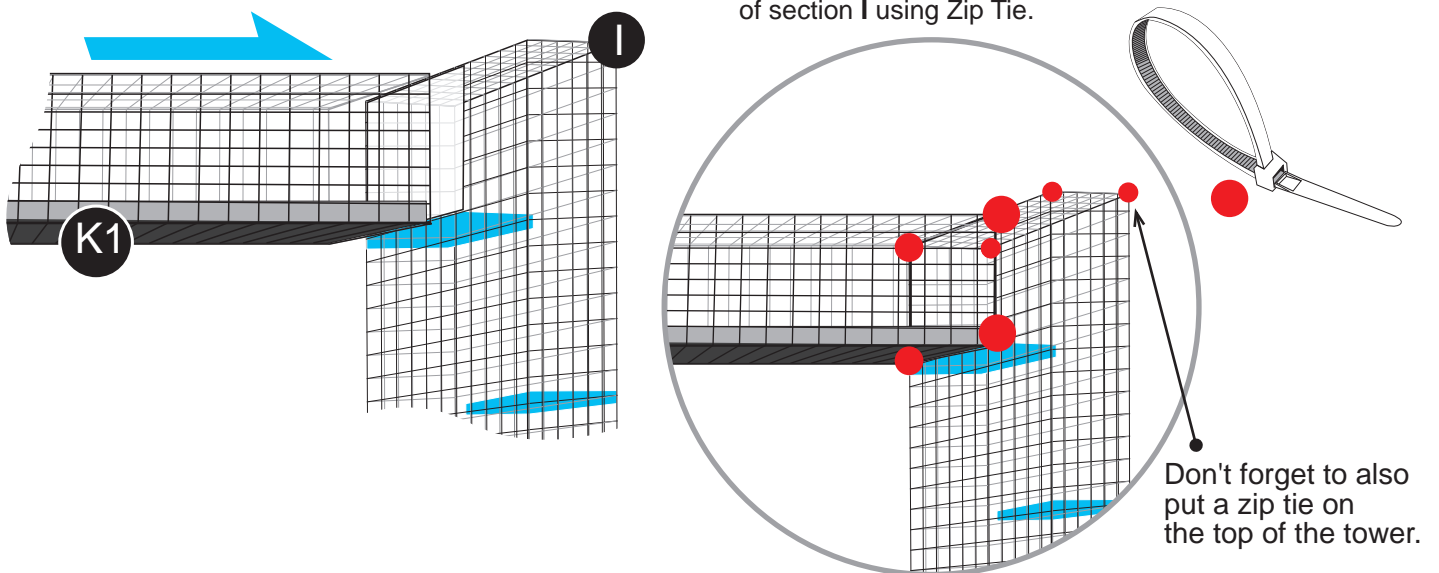


You can use this section instruction for **K1** and **K2**

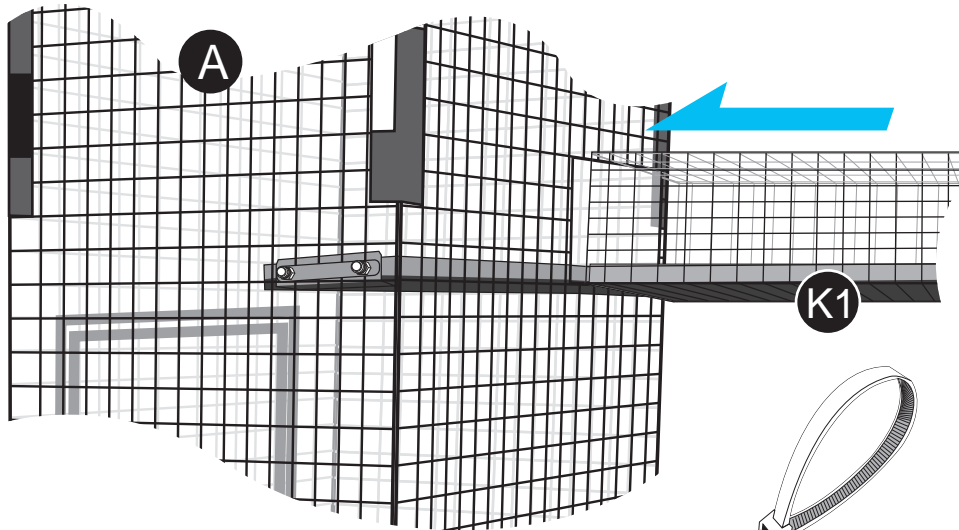
5. Attach Section K1 to I

1 Align the section **K1** hole into the hole at the side top of section **I**.

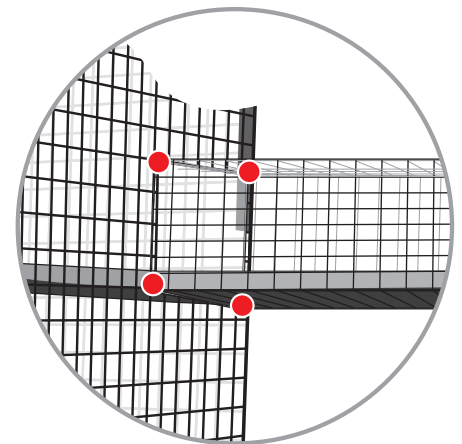
2 Tie the four section of section **K1** ribs that are attached to the bars of section **I** using Zip Tie.



6. Attach Section K1 to A

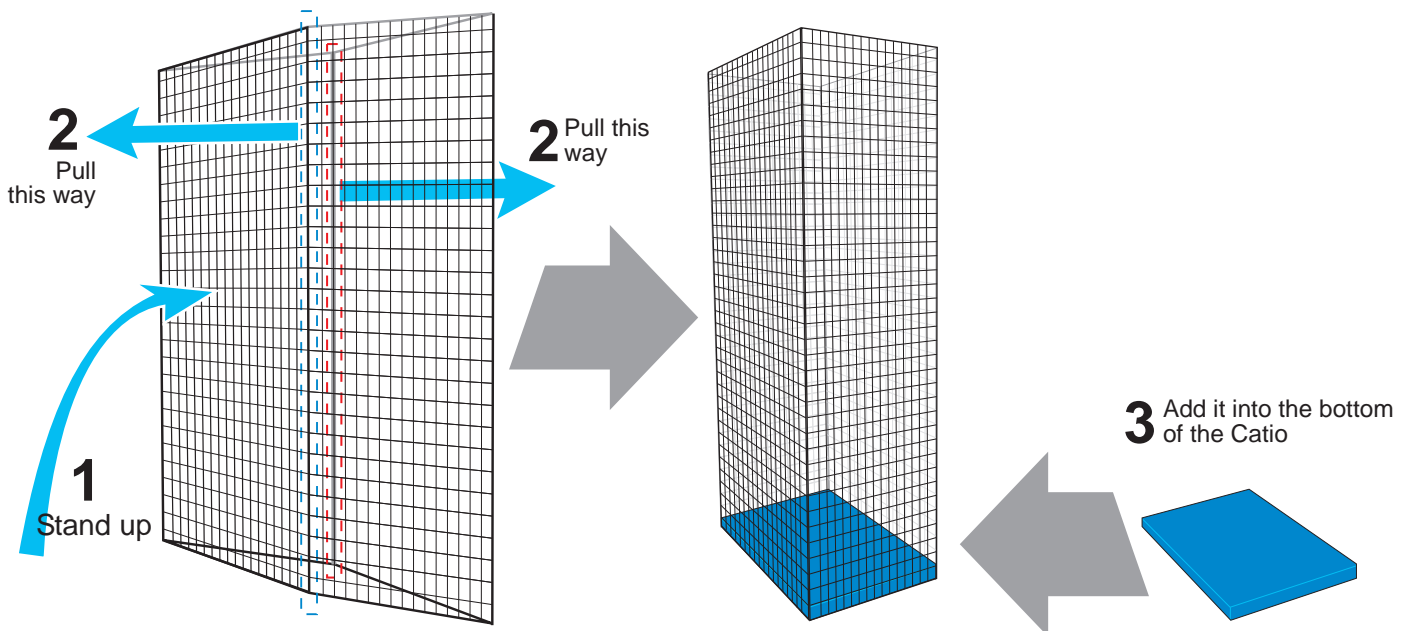


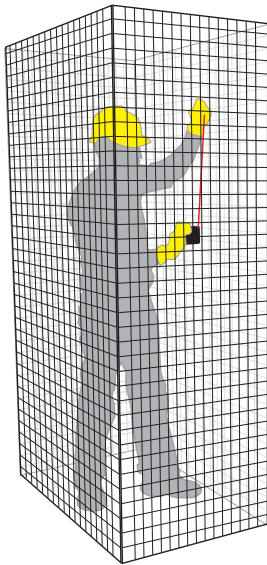
Align the section K1 hole into the hole at the side top of section A. Tie the four section of section K1 ribs that are attached to the bars of section A using Zip Tie.



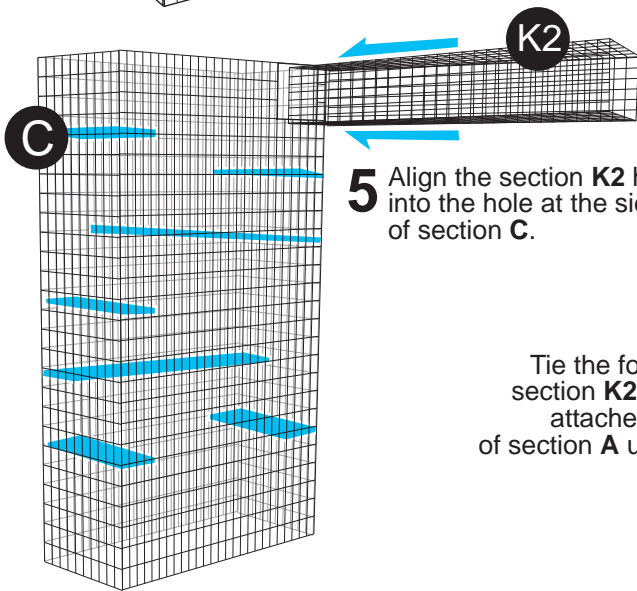
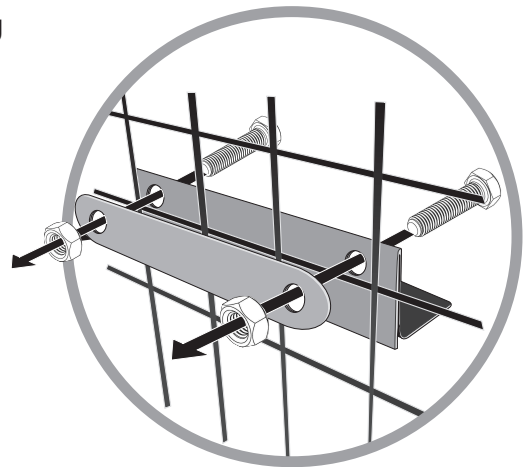
7. Section C

Stand up the enclosure (Catio) with a size of 2' x 4' x 8'. Pull 2 hinges that meet each other in opposite directions like pulling an accordion, then the first parts of the enclosure will be able to stand on its own.

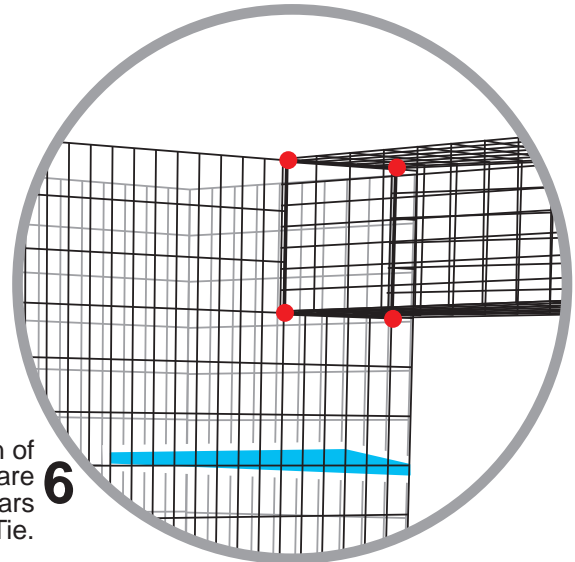




4 Install the brackets first, aligning the two sides at each level, then you can place the shelves in the appropriate position. Pay attention to the **Layout Reference** image on 1st page for **G** shelves.



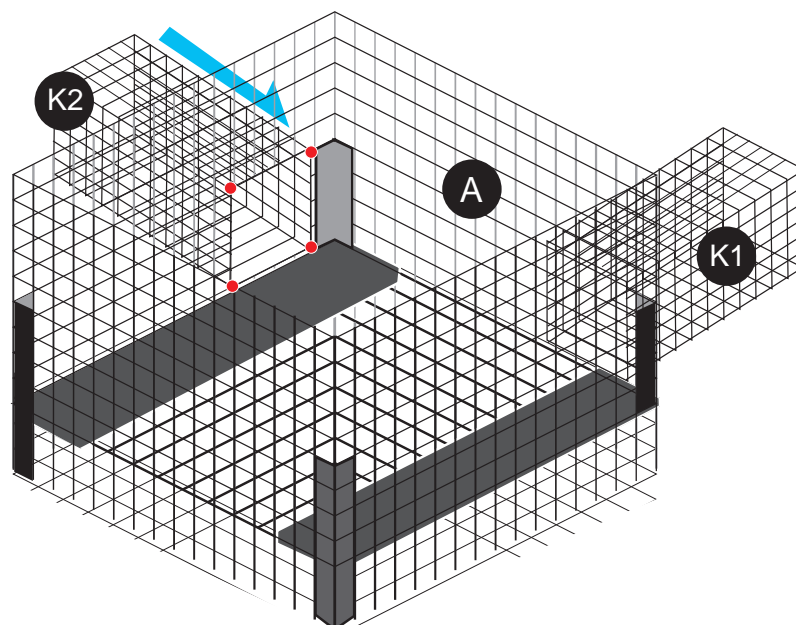
5 Align the section **K2** hole into the hole at the side top of section **C**.



6 Tie the four section of section **K2** ribs that are attached to the bars of section **A** using Zip Tie.

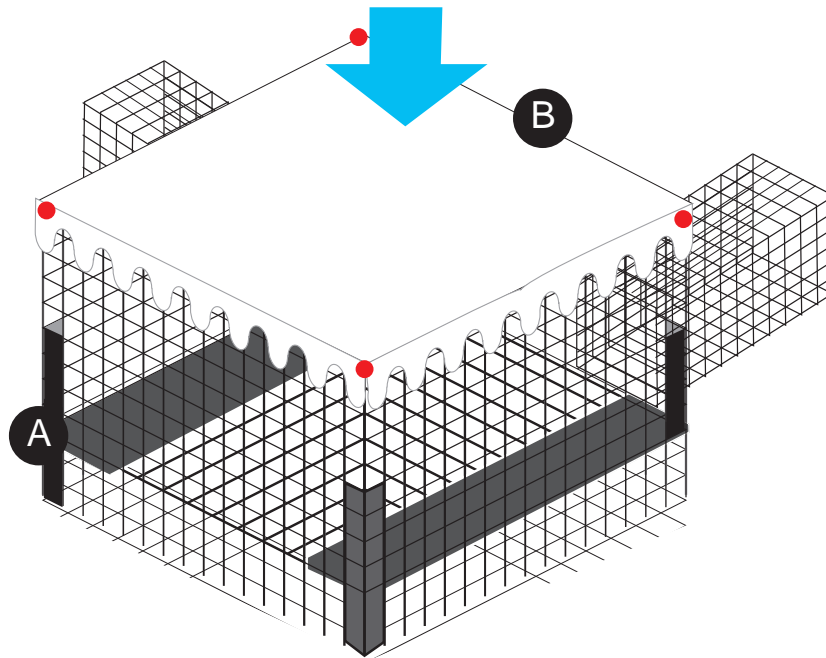
8. Attach Section **K2** to **A**

Align the position of the **K2** that has been installed with part **C** so that it is straight with part **A**. Secure it with a zip tie



9. Section B

Attach B (the canvas roof) to part A, tie it to part A using a zip tie.



Your 5-Piece Urban Forest is ready to use now.
~ THANK YOU ~